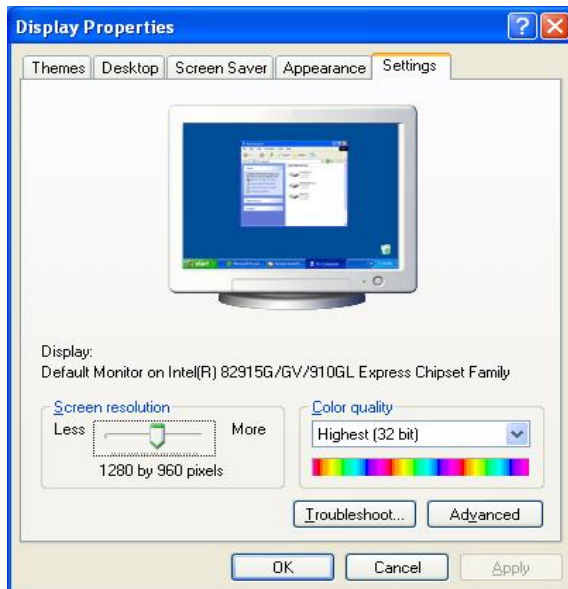


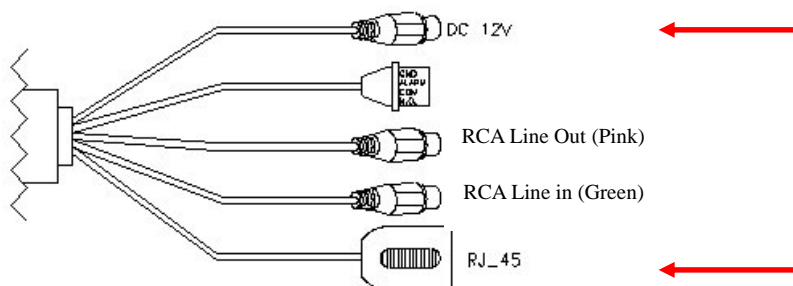
## A. Monitor Setting

1. Right-click on the desktop. Select “Properties” and Change “Color Quality” to Highest (32bit).



## B. Hardware Installation

1. Connect a power adapter and IP Camera to PC or local network



2. I/O Control Instruction

I/O terminal connector – used in application, for e.g., motion detection, event triggering, alarm notifications. It provides the interface to:

1 Digital Input (GND+Alarm) – An alarm input for connecting devices that can toggle between an open and closed circuit, for example: PIRs, door/window contacts, glass break detectors, etc. When a signal is received the state changes and the input becomes active.

1 Relay output (COM +N.O.) – An output to Relay switch, for example: LEDs, Sirens, etc

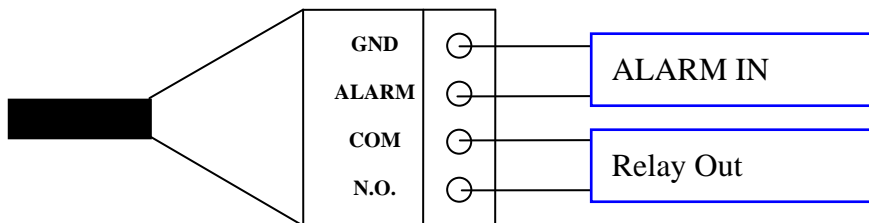
### 3. Digital Input

Alarm Input

1. GND (Ground) : Initial state is LOW
2. Alarm : Max. 50mA, 12VDC

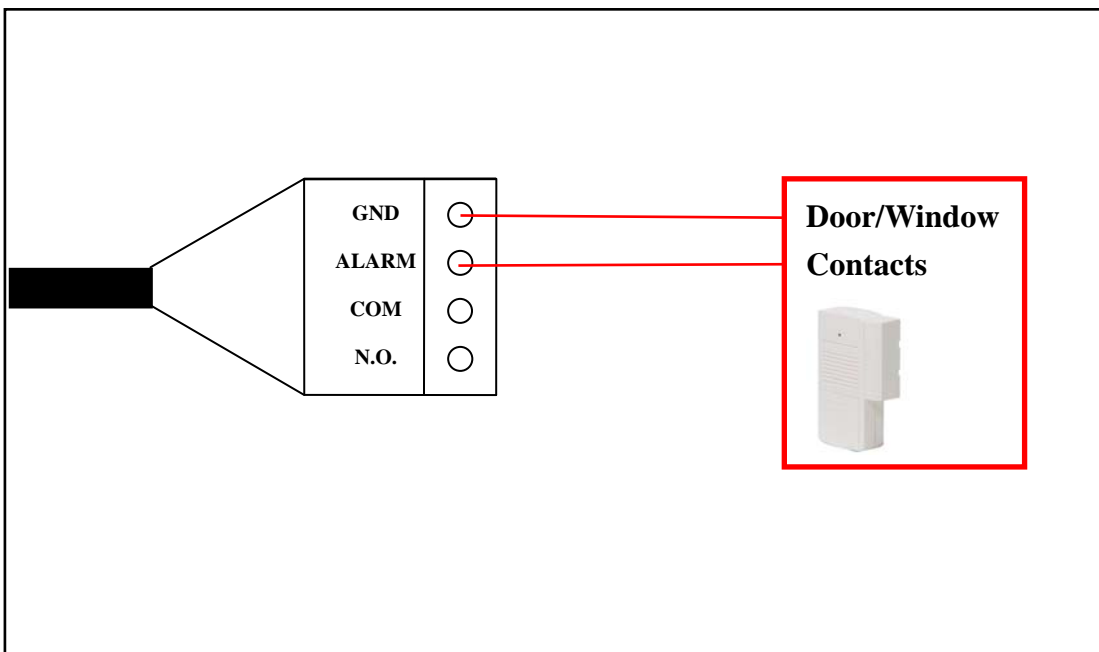
### 4. Relay Output

1. COM: (Common)
2. N.O. (Normally Open): Max. 1A, 24VDC or 0.5A, 125VAC

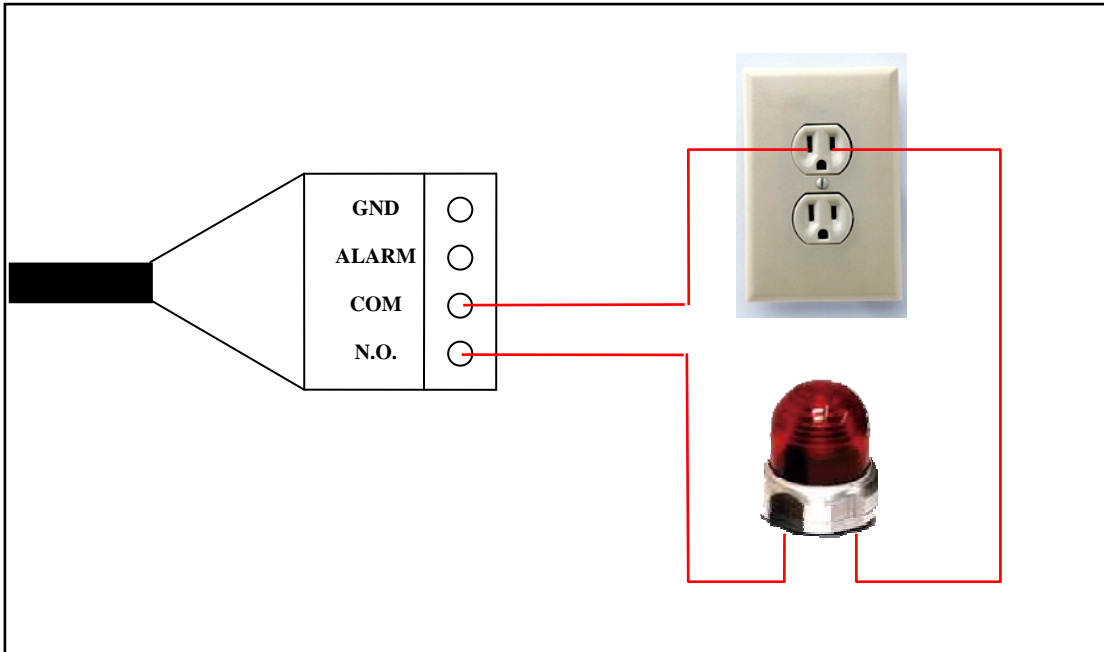


### 5. Relay Connection:

1. Digital Input connection



## 2. Relay Output Connection

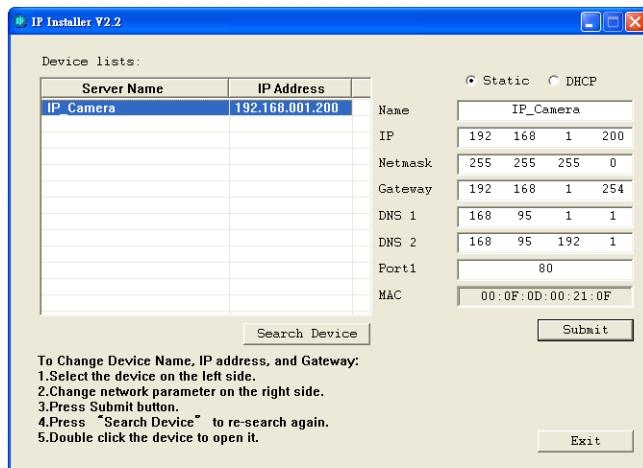


## C. IP Assignment

1. Use “IP Installer” to assign an IP address of IP CAMERA.  
The IP Installer software is in the attached CD.
2. IP Installer supports two languages.
  - a. IPInstallerCht.exe : Chinese Version
  - b. IPInstallerEng.exe : English Version
3. OS: Windows XP SP2 or above. If the following “Windows Security Alert” popup, please click “Unblock”.



4. The GUI of IP Installer is as follows (Default IP: 192.168.1.200).



5. IP Installer will search all IP Cameras connected on LAN. The user can click "Search Device" to search again.
6. Click one of IP Cameras listed on the left side of IP Installer, then the network configuration of that IP Camera will be listed on the right side. If parameters changed, click on "Submit". Then, the network configuration will be changed. Just click "OK" to



reboot.

7. Please make sure the subnet of PC IP address and IP CAM IP address are the same.

**The same Subnet:**

IP CAM IP address: 192.168.1.200

PC IP address: 192.168.1.100

**Different Subnets:**

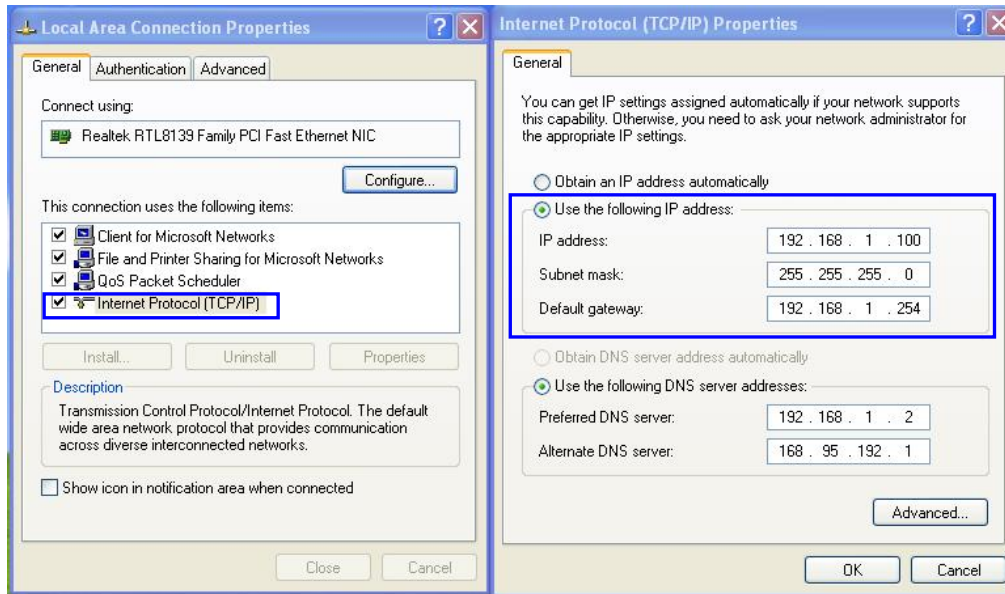
IP CAM IP address: 192.168.2.200

PC IP address: 192.168.1.100

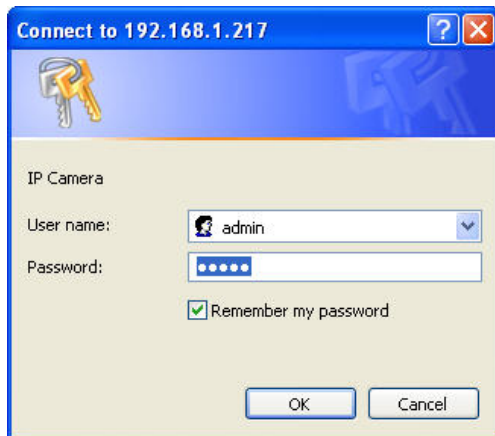
**To Change PC IP address:**

Control Panel → Network Connections → Local Area Connection Properties → Internet Protocol (TCP/IP) → Properties

Please make sure your IP Camera and PC have the same Subnet. If not, please change IP Camera IP subnet or PC IP subnet accordingly.



8. A quick way to access remote monitoring is to left-click the mouse twice on a selected IP Camera listed on “Device list” of IP Installer. An IE browser will be opened.
9. Then, please key in the default “**User name: admin**” and “**Password: admin**” in the following message box.

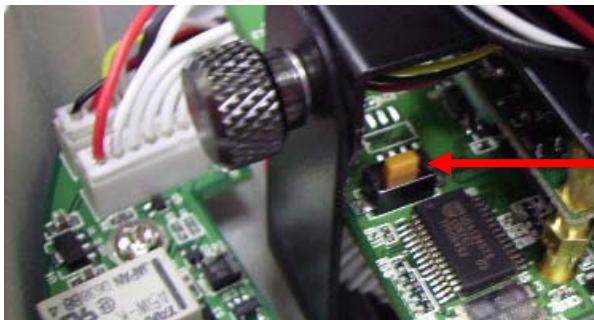


10. If the user name and password are input correctly, the following web page will be displayed.



## D. Factory Default

1. If the user name, password, and IP address are lost, please follow the following instructions.
2. Unplug the power adapter first. Then, press the following button in the back of IP Camera.



**Factory Default**

3. Plug in the power adapter and do not release the button during the IP Camera booting.
4. It will take around 30 seconds to boot the IP Camera.
5. Release the button after the IP Camera finishes booting.
6. Reconnect the IP Camera with the default IP address (<http://192.168.1.200>), user name (admin), and password (admin).

## E. SD card Compatibility List

SanDisk 128M	Transcend 128M 80X
SanDisk 256M	Transcend 256M 80X
SanDisk 512M	Transcend 512M 80X
SanDisk 1G	Transcend 1G 80X
SanDisk 2G	Transcend 2G 80X
SanDisk 4G	Transcend 4G 80X