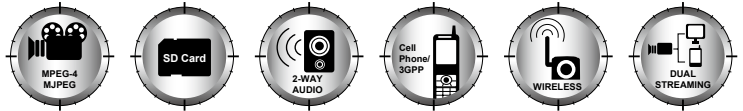
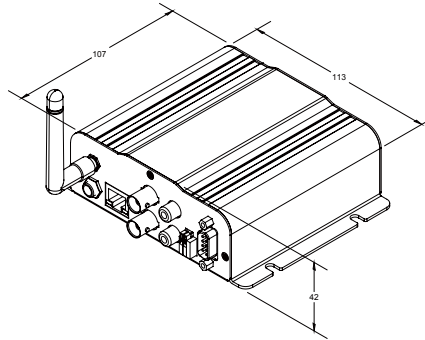
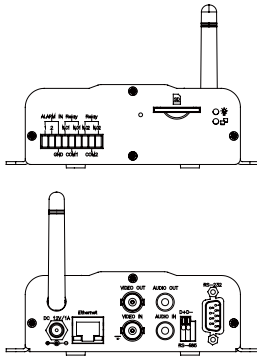


Main Features

- MPEG-4/MJPEG compression format
- RS-485 control interface (PTZ)
- SD card backup
- 2-way audio
- Support cell phone/PDA/3GPP
- Dual Streaming
- Motion detection
- Wireless available
- Video server & video decoder
- SDK for software integration
- Free bundle 36-channel recording software
- Milestone compatible



Interface



Unit: mm

Specifications

Hardware	
CPU	ARM 9 ,32 bit RISC
RAM	64MB
Flash	8MB
Video in/ out	1 in/ 1 out, BNC connector
Audio in/ out	1 in/ 1 out
Alarm Input	x2
Relay Output	x2
RS 232	1
RS 485	1, for PTZ control
Power Consumption	LAN: 12V, 250mA WLAN: 12V, 350mA
Operating Temperature	0°C~40°C
Dimensions	134mm (W) x 42mm (L) x 107mm (D)
Weight	400 g
Network	
Ethernet	10/ 100 Base-T
Network Protocol	HTTP, TCP/ IP, SMTP, FTP, PPPoE, DHCP, DDNS, NTP, 3GPP, Upnp
Wireless (Optional)	
Wireless	802.11 b/g
Security	WEP,WPA-PSK,WPA2-PSK

System	
Video Resolution	NTSC: 720x480, 704x480, 352x240, 176x120 PAL: 720x576, 704x576, 352x288, 176x144
Dual Streaming	Yes
Image Snapshot	Yes
Full Screen Monitoring	Yes
Compression Format	MPEG-4/ MJPEG
Video Bitrate Adjust	CBR, VBR
Motion Detection	Yes, 3 different areas
Triggered Action	Relay, Mail, FTP, Save to SD card
Pre/ Post Alarm	Yes, configurable
Remote PTZ Control	Yes
Security	Password protection
Firmware Upgrade	HTTP mode, can be upgraded remotely
Simultaneous Connection	Up to 10
Audio	Yes, 2-way
SD card management	
Recording Trigger	Motion Detection, IP check, Network, Status, Alarm
Video Format	AVI, JPEG
Video Playback	Yes
Delete Files	Yes, can be deleted or overwrite
Client system requirements	
OS	Windows 2000/2003, XP, Vista, IE 6 or above
Hardware	
Suggested	Intel-C 2.0G, RAM: 512MB, Graphic card: 64MB
Minimum	Intel-C 1.6G, RAM: 256MB, Graphic card: 32MB

SPECIFICATIONS ARE SUBJECT TO CHANGE WITHOUT NOTICE