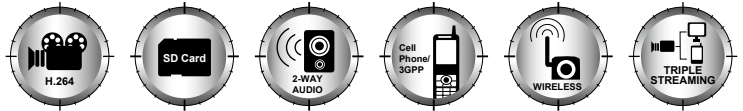
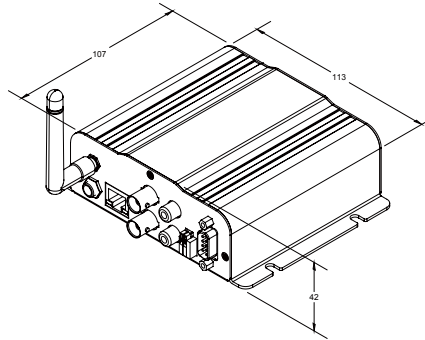
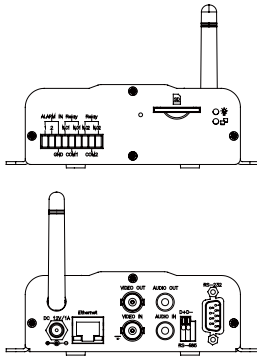


Main Features

- 1CH Input
- De-interlace function
- H.264/ MJPEG/MPEG4 compression
- SD card backup
- 2-way audio
- Support Cell Phone/PDA/3GPP
- Triple Streaming
- Power Over Ethernet available
- SDK for Software Integration
- Wireless
- Free Bundle 36 ch recording software



Interface



Unit: mm

Specifications

Hardware	
CPU	ARM 9, 32 bit RISC
DDR2	256MB
Flash	16MB
Video In	1 in BNC connector
Video Looping Input	1
Audio In/ Out	1 in/ 1 out
I/O	2 in/ 2 Relay out (COM. & N.O. & N.C.) Relay Out: DC 24V@1A AC 110V@0.5A
RS-485	1, for PTZ control
RS-232	1
Power over Ethernet	Optional
Power Consumption	LAN: DC 12V, 350mA WLAN: DC 12V, 450mA
Operating Temperature	0°C~40°C
Dimensions	134mm (W) x 42mm (L) x 107mm (D)
Network	
Ethernet	10/ 100 Base-T
Network Protocol	HTTP, TCP/ IP, UDP, SMTP, FTP, PPPoE, DHCP, DDNS, NTP, UPnP, 3GPP
Wireless (Optional)	
Wireless	802.11b/g
Security	WEP,WPA-PSK,WPA2-PSK

System	
Video Resolution	NTSC: 720x480, 704x480,352x240, 176x144 PAL: 720x576, 704x576, 352x288, 176x144
Video Adjust	Brightness, Contrast, Saturation, Hue, Sharpness
Triple Streaming	Yes
Image Snapshot	Yes
Full Screen Monitoring	Yes
Privacy Mask	Yes, 3 different areas
Compression Format	H.264/ JPEG/ MPEG4 (3GPP only)
Video Bitrates Adjust	CBR, VBR
Motion Detection	Yes, 3 different areas
Triggered Action	Mail, FTP, Save to SD card, Relay
Pre/ Post Alarm	Yes, configurable
Security	Password protection
Firmware Upgrade	HTTP mode, can be upgraded remotely
Simultaneous Connection	Up to 10
Audio	Yes, 2 way
SD card management	
Recording Trigger	Motion Detection, IP check, Network break down (wire only),schedule, Relay
Video Format	AVI, JPEG
Video Playback	Yes
Delete Files	Yes
Client system requirements	
OS	Windows 2000, XP, 2003, Microsoft IE 6.0 or above
Hardware	
Suggested	Intel Dual Core 1.66G,RAM: 1024MB, Graphic card: 128MB
Minimum	Intel-C 2.8G, RAM: 512MB, Graphic card: 64MB