

# H.264 4CH VIDEO SERVER

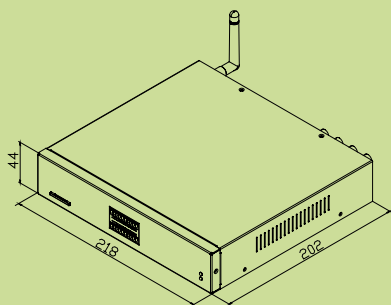
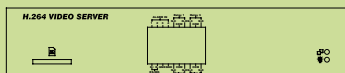
## HWS-04AD



### Main Features

- 4CH Input
- De-interface function
- H.264/ MJPEG/MPEG4 compression
- SD card backup
- 2-way audio
- Triple Streaming
- Power over Ethernet
- Support iPhone/ Android/ Symbian/ Blackberry
- SDK for Software Integration
- Wireless
- Free Bundle 36 ch recording software

### Interface



Unit: mm

#### Hardware

CPU	ARM 9 ,32 bit RISC
RAM	256MB
Flash	16MB
Video Input	BNC x 4
Video Looping Output	BNC x 4
Audio In/Out	4 in / 1 out (RCA type)
Alarm Input	4
Relay Out	4
RS-485	1, for PTZ control
Power	DC 12V Power Consumption: 7.56W
Operating Temperature	-10°C~40°C
Dimensions (WxHxD)	218mm (W)x44mm (H)x202mm (D)

#### Network

Ethernet	10/ 100 Base-T
Network Protocol	HTTP, TCP/ IP, UDP, SMTP, FTP, PPPoE, DHCP, DDNS, NTP, UPnP, 3GPP, SAMBA
Wireless(optional)	
Wireless Type	802.11b/g/n
Security	WEP,WPA-PSK,WPA2-PSK

#### System

Video Resolution	NTSC: 720x480 , 704x480, 352x240, 176x144 PAL: 720x576 , 704x576, 352x288, 176x144
Video Adjust	Brightness, Contrast, Saturation, Hue
Image Snapshot	Yes
Full Screen Monitoring	Yes
Compression Format	H.264/MJPEG
Video Bitrate Adjust	CBR, VBR
Motion Detection	1 Areas per 1 channel
Triggered Action	Mail, FTP, Save to SD storage, Relay, SAMBA
Pre/Post Alarm	Yes
Security	Password protection
Firmware Upgrade	HTTP mode, can be upgraded remotely
Simultaneous Connection	Up to 8
Audio	2-way audio (Duplex Support)

#### SD card management

Recording Trigger	Motion Detection, IP check, Network break down (wire only), Relay
Video Format	AVI, JPEG
Video Playback	Yes
Delete Files	Yes, can be deleted or overwrite

#### Client system requirements

OS	Windows 2000, XP, 2003, IE 6.0 or above
Hardware	
Suggested	Intel Dual Core 1.66G, RAM: 1024MB, Graphic card: 128MB
Minimum	Intel 2.8G, RAM: 256MB, Graphic Card: 32MB

©SPECIFICATIONS ARE SUBJECT TO CHANGE WITHOUT NOTICE