

HIGH SPEED DOME IP CAMERA

HLT-S112HAZ/HLT-S212HAZ



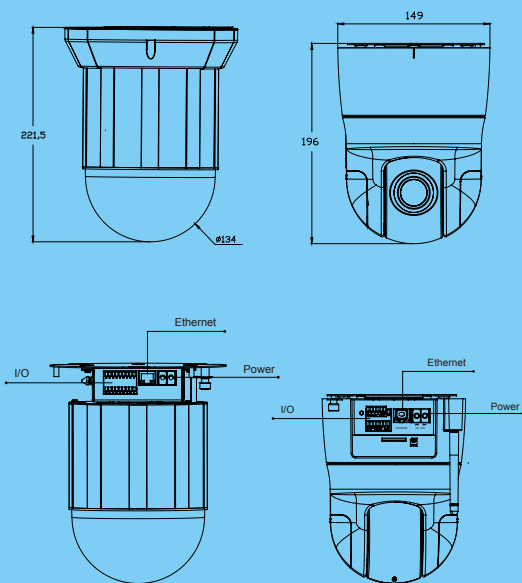
HLT-S212HAZ

HLT-S112HAZ

Main Features

- H.264/ JPEG/ MPEG4 compression
- Video out
- High speed can reach 300°/sec (Pan/tilt speed)
- Manual pan speed 0.375°~120°/Sec
- Manual tilt speed 0.375°~50°/Sec
- De-interlace function
- True Day/Night function – IR Cut Filter (ICR)
- 360° endless Pan
- Support SD card
- 2-Way audio
- Triple streaming
- Support iPhone/ Android/ Symbian/ Blackberry
- SDK for software integration
- Free bundle 36 ch recording software

Interface



Unit: mm

Specifications

Specifications		
Model No.	S112HAZ	S212HAZ
CPU	ARM 9, 32 bit RISC	
RAM	256MB	
Flash	16MB	
Interface system	2:1 Interlace	
Video Out	1.0Vp-p, 75Ω, BNC	
Audio	G.711 audio compression Interface: Mic in Audio output: 3.5mm phone jack Support 2-way audio	
Alarm I/O	4 in/ 2 out	2 in/ 1 out
IR LED	NA	28 LED (optional)
RS-485	Yes	
Image Sensor	1/4" CCD	
Effective Pixels	NTSC: 768 ×494 PAL: 752 ×582	
Lens Type	12× Optical zoom	
Focal Length	f=3.8 to 45.6mm	
Maximum Aperture	F1.6 to F 2.7	
Angle of View	4.49°~52.8° (horizontal) 3.40°~39.7° (vertical)	
Sensitivity	0.1 lux @F1.6	
S/N Ratio	More than 48dB	
Power	Power Consumption: 13W	
Dimensions	178mm (W) * 222.4mm (H)	
Operating Temperature	-10°C ~ 40°C	
Storage Temperature	-30°C ~ 60°C	

Network

Ethernet	10/ 100 Base-T	
Network Protocol	HTTP, TCP/ IP, UDP, SMTP, FTP, PPPoE, DHCP, DDNS, NTP, UPnP, 3GPP, SAMBA	

System

Video Resolution	NTSC: 720x480, 704x480, 352x240, 176x144 PAL: 720x576, 704x576, 352x288, 176x144	
Video Adjust	Brightness, Contrast, Saturation, Hue, Sharpness, IRIS Level, Flip, Mirror	
Electronic Shutter	1/50(1/60) – 1/100000s	
Triple Streaming	Yes	
Image Snapshot	Yes	
Full Screen Monitoring	Yes	
Preset Pan/Tilt Max Speed	300°/sec	
Manual Pan Speed	0.375°~120°/Sec	
Manual Tilt Speed	0.375°~50°/Sec	
Preset Point	128	
Patrol Mode	Preset Position, Auto-Pan	
Compression Format	H.264/ JPEG/ MPEG4 (3GPP only)	
Video Bitrate Adjust	CBR, VBR	
Motion Detection	Yes, 3 different areas	
Triggered Action	Mail, FTP, Save to SD card, Relay, SAMBA	
Pre/ Post Alarm	Yes, configurable	
Security	Password protection	
Firmware Upgrade	HTTP mode, can be upgraded remotely	
Simultaneous Connection	Up to 10	

SD card management

Recording Trigger	Motion Detection, IP check, Network break down (Wire connection), Relay
Video Format	AVI, JPEG
Video Playback	Yes
Delete Files	Yes

Client system requirements

OS	Windows 2000, XP, 2003, IE 6 or above
Hardware	
Suggested	Intel Dual Core 1.66G, RAM: 1024MB, Graphic card: 128MB
Minimum	Intel-C 2.8G, RAM: 512MB, Graphic card: 64MB

©SPECIFICATIONS ARE SUBJECT TO CHANGE WITHOUT NOTICE