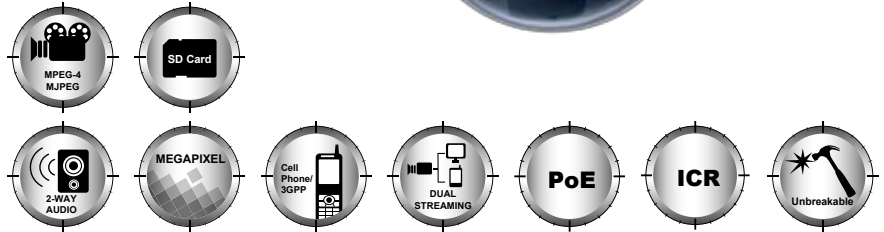




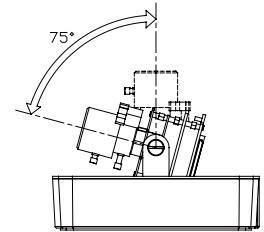
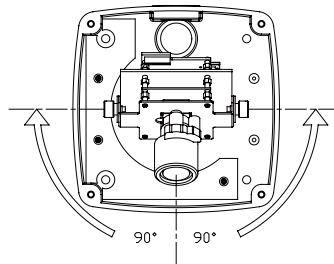
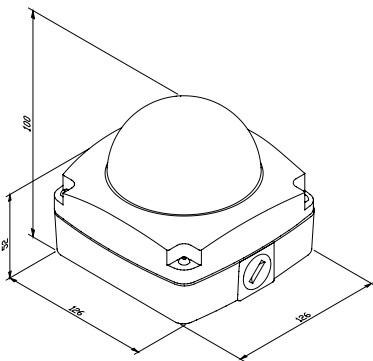
HLV-1CM

Main Features

- IP66
- Megapixel (1280x1024 Resolution)
- Power over Ethernet available
- 12M built-in IR LED available
- Mechanism IR Cut Filter available
- Vandalproof up to 400 pounds
- MPEG-4/MJPEG compression format
- SD Card backup
- 2-way audio
- Support cell phone/PDA/3GPP
- Dual Streaming
- SDK for software integration
- Free bundle 36 channel recording software
- Milestone compatible



Interface



Unit: mm

Specifications

Hardware	
CPU	ARM 9, 32 bit RISC
RAM	64MB
Flash	8MB
Image Sensor	1/4" CMOS
Sensitivity	1.5 lux @ F1.4
Lens Type	Vari-focal 3.7 to 12 mm lens
ICR	Mechanism IR Cut Filter (Optional)
LED	IR LED Built-in (Optional) IR Distance-12M (Optional)
I/O	1 in/ 1 (relay out)
Audio in	1 (RCA type)
Audio Out	1 (RCA type)
Power over Ethernet	Yes (Optional)
Power Consumption	DC 12V, 490mA
Operating Temperature	0°C ~ 40°C
Dimensions	126mm(W) x 126mm(L) x 100mm(H)
Weight	1080 g
Network	
Ethernet	10/ 100 Base-T
Network Protocol	HTTP, TCP/ IP, UDP, SMTP, FTP, PPPoE, DHCP, DDNS, NTP, 3GPP, UPnP

System	
Video Resolution	1280x1024, 640x480, 320x240,160x120
Video Adjust	Brightness, Contrast, Exposure, Sharpness, AGC Night Mode
Dual Streaming	Yes
Image Snapshot	Yes
Full Screen Monitoring	Yes
Compression Format	MPEG-4 / MJPEG
Video Bitrate Adjust	CBR, VBR
Motion Detection	Yes, 3 different areas
Triggered Action	Mail, FTP, Save to SD card, Alarm
Pre/ Post Alarm	Yes, configurable
Security	Password protection
Firmware Upgrade	HTTP mode, can be upgraded remotely
Simultaneous Connection	Up to 10
Audio	Yes, 2-way (Duplex Support)

SD card management	
Recording Trigger	Motion Detection, IP check Network status (wire connection only), Alarm
Video Format	AVI, JPEG
Video Playback	Yes
Delete Files	Yes

Client system requirements	
OS	Windows 2000/2003, XP, Vista, Microsoft IE 6.0 or above
Hardware	
Suggested	Intel-C 2.8G, RAM: 512MB, Graphic card: 64MB
Minimum	Intel-C 1.6G, RAM: 256MB, Graphic card: 32MB

SPECIFICATIONS ARE SUBJECT TO CHANGE WITHOUT NOTICE