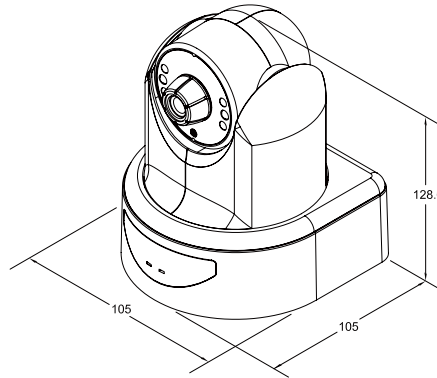
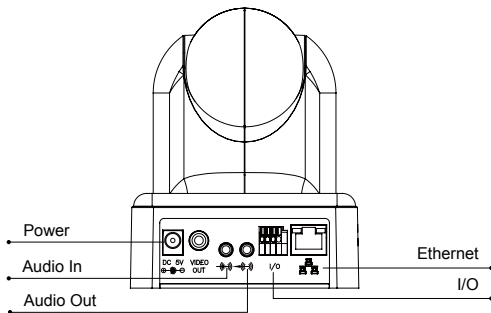


Main Features

- Remote Pan(270°)/Tilt(120°) Control
- IR LED built in-5M
- MPEG-4/MJPEG compression format
- Power over Ethernet available
- SD Card backup
- 2-way audio
- Support cell phone/PDA/3GPP
- Dual Streaming
- SDK for software integration
- Wireless available
- Free bundle 36 channel recording software
- Milestone compatible



Interface



Unit: mm

Specifications

Hardware	
CPU	ARM 9, 32 bit RISC
RAM	64MB
Flash	8MB
Image Sensor	1/4" CCD
Sensitivity	0.5 lux @ F2.0
LED	IR LED Built-in (Optional) IR Distance 5M (Optional)
Video Out	1 (RCA type)
Audio in/ out	1/1 (3.5 mm Phone Jack)
I/O	1 in/ 1 out
Pan Angle	270°
Tilt Angle	120°
Power over Ethernet	Optional
Power Consumption	LAN: DV 12V/ 500mA WLAN: DV 12V/ 500mA
Operating Temperature	0°C~40°C
Dimensions	105mm (W) x 105mm (L) x 128.6mm (H)
Weight	450 g
Lens Type	3.6mm, F 2.0
Angle View (H,V)	53°, 41°
Pan Angle	270°
Tilt Angle	120°
Network	
Ethernet	10/ 100 Base-T
Network Protocol	HTTP, TCP/IP, UDP, SMTP, FTP, PPPoE, DHCP, DDNS, NTP, 3GPP, UPnP
Wireless (Optional)	
Wireless	802.11 b/g
Security	WEP,WPA-PSK,WPA2-PSK

System	
Video Resolution	NTSC: 720x480, 704x480, 352x240, 176x120 PAL: 720x576, 704x576, 352x288, 176x144
Video Adjust	Brightness, Contrast, Saturation, Hue
Dual Streaming	Yes
Image Snapshot	Yes
Full Screen Monitoring	Yes
Pan/Tilt Control	Yes, remotely
Preset Point	9
Patrol	Yes (Once)
Auto Pan	Yes (Once)
Pan/Tilt Speed Control	Yes
Compression Format	MPEG-4, MJPEG
Video Bitrate Adjust	CBR, VBR
Motion Detection	Yes, 3 different areas
Triggered Action	Mail, FTP, Save to SD card, Alarm
Pre/ Post Alarm	Yes, configurable
Security	Password protection
Firmware Upgrade	HTTP mode, can be upgraded remotely
Simultaneous Connection	Up to 10
Audio	Yes, 2-way (Duplex Support)
SD card management	
Recording Trigger	Motion Detection, IP check, Network status (Wire connection only), Alarm
Video Format	AVI, JPEG
Video Playback	Yes
Delete Files	Yes
Client system requirements	
OS	Windows 2000/2003, XP, Vista, IE 6 or above
Hardware	
Suggested	Intel-C 2.0G, RAM: 512MB, Graphic card: 64MB
Minimum	Intel-C 1.6G, RAM: 256MB, Graphic card: 32MB

SPECIFICATIONS ARE SUBJECT TO CHANGE WITHOUT NOTICE