

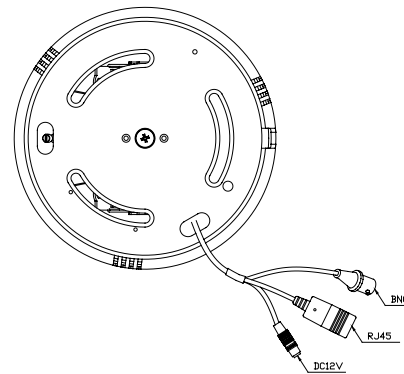
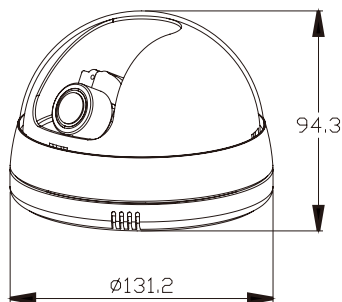
## HLC-15I

### Main Features

- True Day/Night function
- MPEG-4/MJPEG compression format
- Power over Ethernet available
- SD Card backup
- Support cell phone/PDA/3GPP
- Dual Streaming
- SDK for software integration
- Free bundle 36 channel recording software



### Interface



Unit: mm

### Specifications

Hardware	
<b>CPU</b>	ARM 9, 32 bit RISC
<b>RAM</b>	32MB
<b>Flash</b>	8MB
<b>Image Sensor</b>	1/3" CCD
<b>Sensitivity</b>	0.1 lux @ F1.6
<b>Lens Type</b>	Vari-focal auto iris 3.7~12 mm lens
<b>Video Out</b>	1 Vp-p, 75 Ohms
<b>Power over Ethernet</b>	Optional
<b>Power Consumption</b>	DC 12V, 320mA
<b>Operating Temperature</b>	0°C~40°C
<b>Dimensions</b>	131.2mm(φ) x 94.3mm(H)
<b>Weight</b>	300 g
Network	
<b>Ethernet</b>	10/ 100 Base-T
<b>Network Protocol</b>	HTTP, TCP/ IP, UDP, SMTP, FTP, PPPoE, DHCP, DDNS, NTP, 3GPP, UPnP

System	
<b>Video Resolution</b>	NTSC: 720x480, 704x480, 352x240, 176x120 PAL: 720x576, 704x576, 352x288, 176x144
<b>Video Adjust</b>	Brightness, Contrast, Saturation, Hue
<b>Dual Streaming</b>	Yes
<b>CCD Setting</b>	BLC, Day/Night (Auto)
<b>Image Snapshot</b>	Yes
<b>Full Screen Monitoring</b>	Yes
<b>Compression Format</b>	MPEG-4 / MJPEG
<b>Video Bitrate Adjust</b>	CBR, VBR
<b>Motion Detection</b>	Yes, 3 different areas
<b>Triggered Action</b>	Mail, FTP, Save to SD card
<b>Pre/ Post Alarm</b>	Yes, configurable
<b>Security</b>	Password protection
<b>Firmware Upgrade</b>	HTTP mode, can be upgraded remotely
<b>Simultaneous Connection</b>	Up to 10
SD card management	
<b>Recording Trigger</b>	Motion Detection, IP check Network status (wire connection only)
<b>Video Format</b>	AVI, JPEG
<b>Video Playback</b>	Yes
<b>Delete Files</b>	Yes
Client system requirements	
<b>OS</b>	Windows 2000/2003, XP, Vista, Microsoft IE 6.0 or above
<b>Hardware</b>	
Suggested	Intel-C 2.0G, RAM: 512MB, Graphic card: 64MB
Minimum	Intel-C 1.6G, RAM: 256MB, Graphic card: 32MB

SPECIFICATIONS ARE SUBJECT TO CHANGE WITHOUT NOTICE