

30M IR CAMERA HTC-7ZC



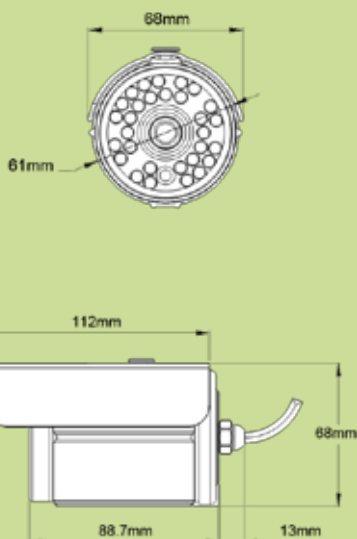
Main Features

- IR Distance: 25M
- Weatherproof: IP66
- Bullet color camera with SONY 1/3" Super HAD CCD sensor.
- Employs Digital Signal Processor (DSP) chip-set for image control.
- Double glass design separates Lens & IR LEDs
- High sensitivity, low smear, high anti-blooming, and high S/N ratio. Build-in functions: Auto Electronic Shutter (AES), Auto Gain Control (AGC), Auto White Balance (AWB).
- Built-in anti-aliasing and IR-pass(850nm) optical filter.



ITEM	HTC-7ZC
PICK UP DEVICE	1/3" Sony CCD Image Sensor
ELEMENTS H*V	NTSC: 510*492, PAL: 500*582
HORIZONTAL RESOLUTION	More Than 420 TV Lines
SYNCHRO FREQUENCY	NTSC: 15.734 kHz / 60 Hz, PAL: 15.625 kHz / 50 Hz
WHITE BALANCE	Automatically (2500K~9500K)
SCANNING SYSTEM	2:1 Interlace
SENSITIVITY	0 Lux When IR On
SYNCHRONIZATION	Internal
S/N RATIO	More Than 48 dB
ELECTRONIC SHUTTER	NTSC: 1/60s~1/100,000s, PAL: 1/50s~1/110,000s
GAMMA CHARACTERISTIC	0.45
LENS	Board Lens 3.6mm / F2.0 (4.3, 6, 8 Optional)
ANGLE OF VIEW	H: 70.5 V: 56.1
LED	36 Unit 850nm Infrared LED, 10000hrs
IR DISTANCE	25M
VIDEO OUTPUT	1 Vpp, 75 Ohms Composite
WEATHERPROOF IP RATING	IP66
POWER SUPPLY	12VDC (±10%)
POWER CONSUMPTION	300mA at DC12V (IR ON) 60mA at DC12V (IR OFF)
DIMENSIONS (φ*L)	68*112mm
WEIGHT	370g
STORAGE TEMPERATURE	-30 to + 60°C
OPERATION TEMPERATURE	-10 to + 50°C

Interface



Unit: mm

©SPECIFICATIONS ARE SUBJECT TO CHANGE WITHOUT NOTICE