

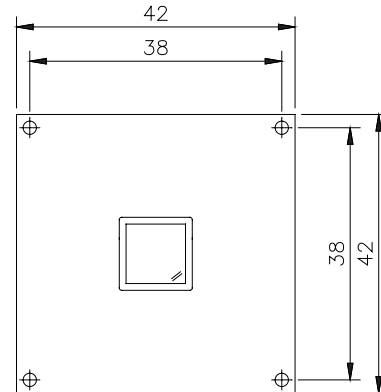
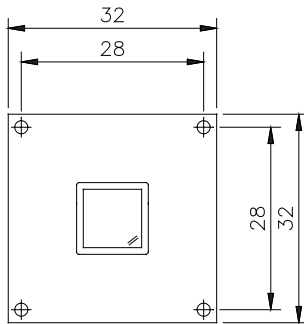
BOARD CAMERA

Main Features

- Electronic shutter up to 1/100,000 sec
- CS mount / varifocal auto iris lens available
- Day/Night function (optional)
- Night vision (optional)



Interface



Specifications

ITEMS	2F SEREIS		2L SEREIS	
PICK UP DEVICE	1/3" CCD Image Sensor			
SYSTEM	SONY Chip		NEXT Chip	
	NTSC	PAL	NTSC	PAL
PICTURE ELEMENTS H*V	510 * 492 768*494(HI)	500*582 752*582(HI)	512 * 492 768*494(HI)	512*582 752*582(HI)
H. SYNC. FREQUENCY	15.734 KHz	15.625 KHz	15.734 KHz	15.625 KHz
V. SYNC. FREQUENCY	59.94Hz	50Hz	59.94Hz	50Hz
HORIZONTAL RESOLUTION	420/540 TV Lines		420/540TV Lines	
SCANNING SYSTEM	2:1 Interlace			
SYNCHRONIZATION	DC: Internal / AC: External(Line Lock) Optional			
S/N RATIO	More Than 48 dB (AGC Off)			
BACK LIGHT COMPENSATION	Auto			
ELECTRONIC SHUTTER	Auto; Range 1/50(1/60) Up to 1/100,000 sec.			

ITEMS	2F SEREIS	2L SEREIS
GAIN CONTROL	Auto	
GAMMA	0.45	
LENS	3.6 mm / F2.0 (Standard)	
DAY/NIGHT ON	Auto; >5 Lux Color;<3 Lux B/W(Optional)	
VIDEO OUTPUT	1 Vpp, 75 Ohms	
POWER SUPPLY	DC 12V or AC24V	
POWER CONSUMPTION	110mA (Low-res)	70mA (Low-res)
	130mA (High-res)	95mA (High-res)
DIMENSIONS (L*W)	32x32 mm;38x38 mm;42x42 mm	
WEIGHT	20g	
STORAGE TEMPERATURE	-30 to + 60 °C	
OPERATING TEMPERATURE	-10 to + 45°C	

SPECIFICATIONS ARE SUBJECT TO CHANGE WITHOUT NOTICE

New	Model	Image	Horizontal Resolution	Chip	Sensitivity	Audio	Mirror	Dimension
	HTC-2F1	1/3"	420	Sony	0.05	x	O	42*42 mm single board
	HTC-2F6	1/3"	540	Sony	0.5	x	O	42*42 mm single board
●	HTC-2L1	1/3"	420	Next Chip	0.05	Option	O	42*42 mm single board
●	HTC-2L6	1/3"	540	Next Chip	0.5	Option	O	42*42 mm single board
●	HTC-2L3	1/3"	420	Next Chip	0.05	Option	O	32*32 mm single board
●	HTC-2L8	1/3"	540	Next Chip	0.5	Option	O	32*32 mm single board